

Renate Behrens

One more time, 3R in DACH

Table of Contents

- 1. Excitement**
- 2. Confusion**
- 3. Possible Solution?**

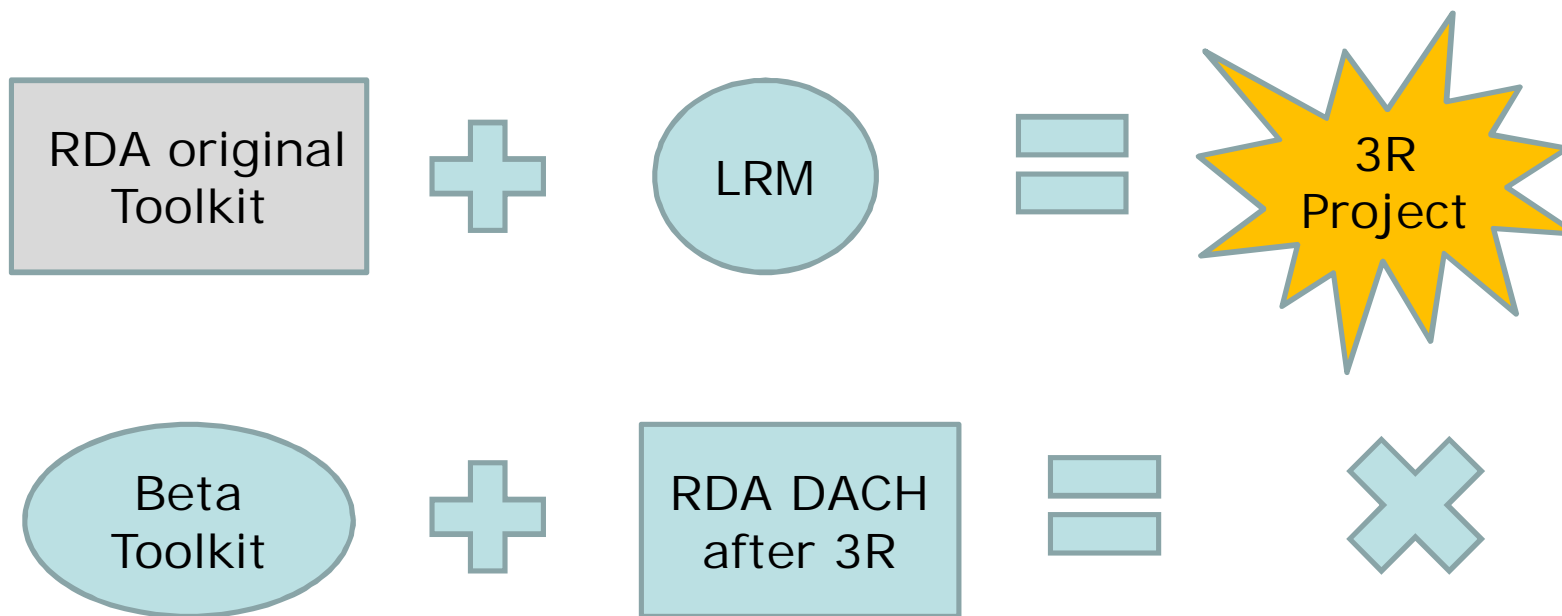
Excitement

After our first RDA project from 2012 to 2016 we thought we deserved a break!

- We had made a full German translation.
- We had worked out policy statements.
- We had trained all cataloguers.
- And many other things ...



Confusion

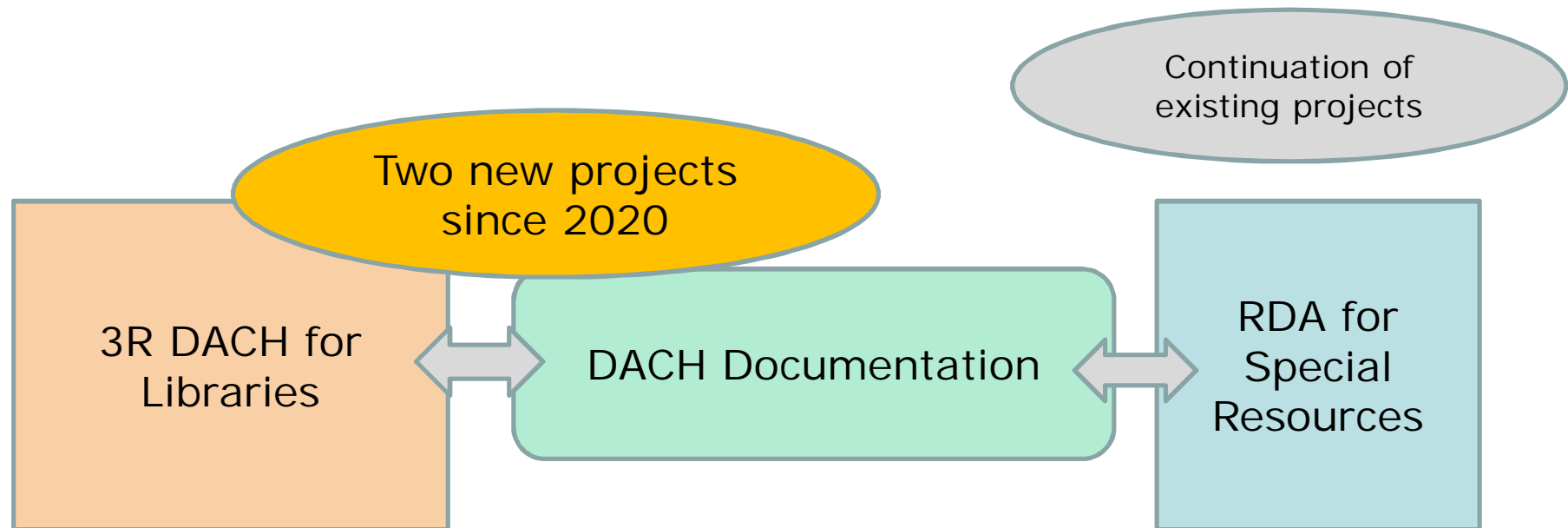


Excitement, Confusion, Solutions?


- A long phase of insecurity
- Several evaluation phases
- Tests with the Beta Toolkit
- Discussions in the competent bodies as the Committee on Standards in DACH
- consultations with colleagues in Europe and worldwide



Possible Solution?



3R DACH for Libraries

- Decision of the experts for a DACH RDA handbook for cataloguing in December 2019
- Start with a concept working group from March to September 2020
- Recommendation from the experts to translate only the RDA Registry
- Approval of the concept by the Committee for Standards in Autumn 2020
- Planned duration of the project: two years
- Estimated person days: about  1000

DACH Documentation – the plan

The documentation should also be:

- aimed at experts, newcomers and users from non-library fields
- sufficient basis for training
- modularly by own rule additions and refinements
- completely stored in a central location

DACH Documentation – Todos

- Clarification of the interaction with RDA and RDA Toolkit and other relevant regulations and standards
- Inventory of existing documentation
- Definition of the different target groups and their basic requirements
- Evaluation of different technical solutions and their possible interaction (Wikibase, different Wiki solutions, RDA Toolkit)

Nothing is decided yet!

- The Committee on Standards will have to discuss the proposals and recommendations from the expert groups.
- A written report will be sent to the members at the end of September and the Committee will meet at the end of October.
- In the event of a positive decision, we plan to be able to start compiling the DACH handbook in January.
- We expect a processing time of one and a half to two years.

Thank you!

I am looking forward for questions and discussion in our break out sessions.

Renate Behrens
Office for Library Standards
German National Library
r.behrens@dnb.de